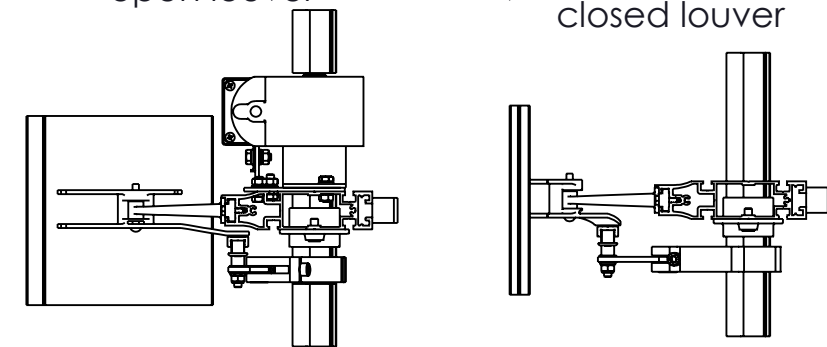
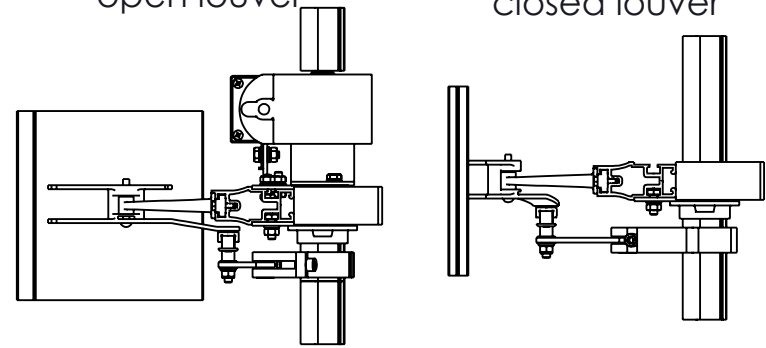
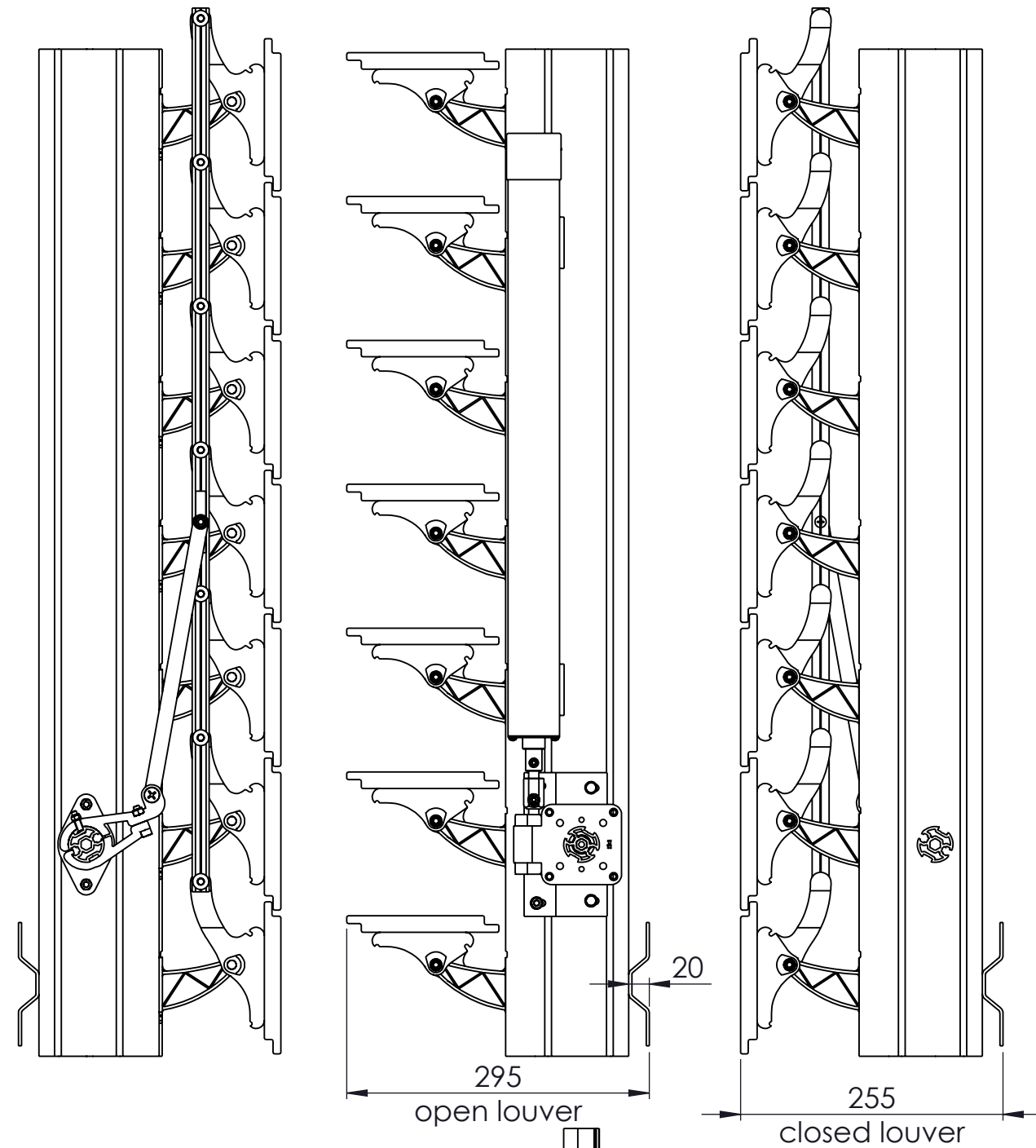
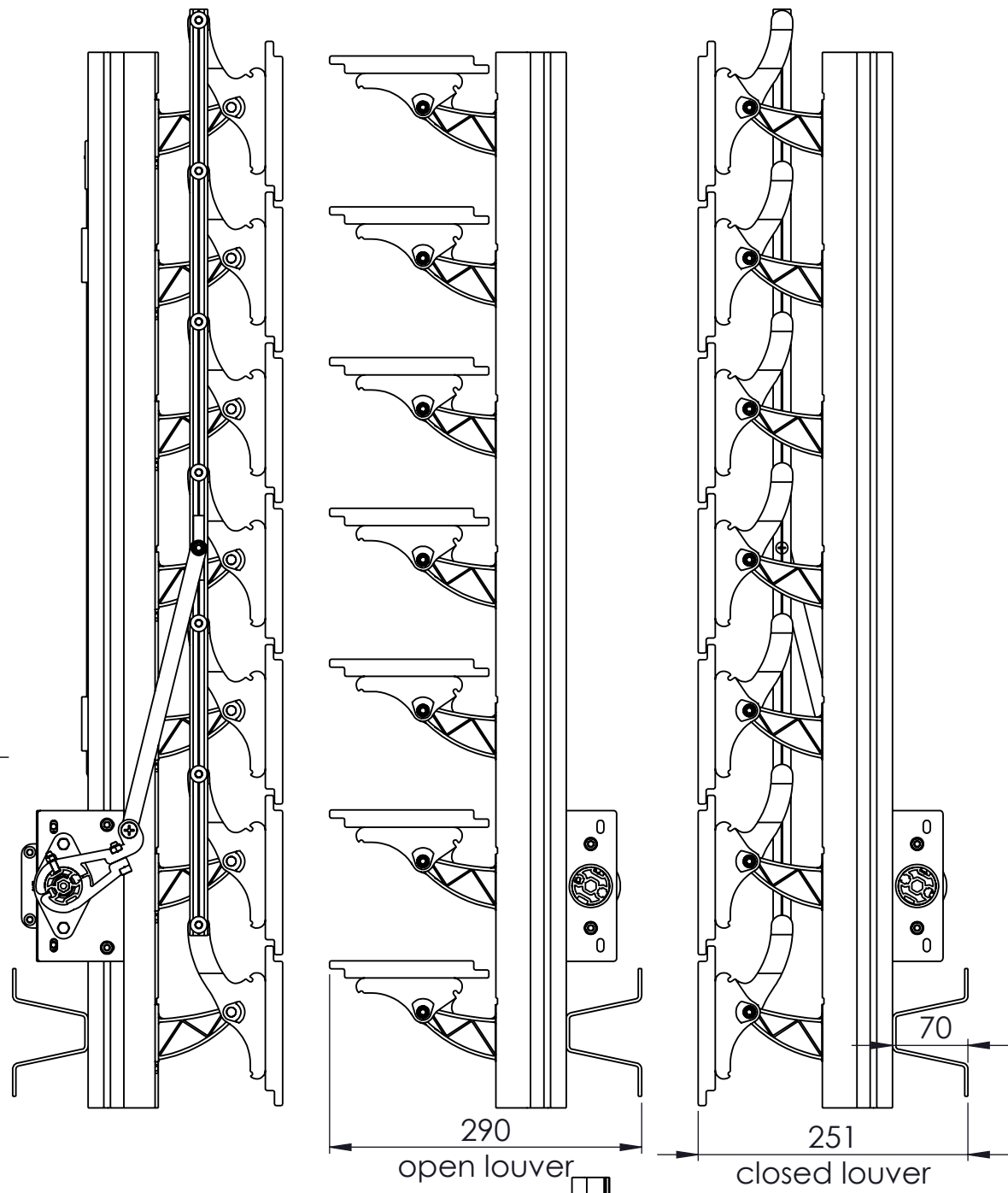


148W scale 1:6

Rack arm 65mm

Rack arm 120mm



©This drawing is the sole property of Sunshield and shall not be copied, duplicated, transmitted or used in any manner without written consent of Sunshield

www.sunshieldglobal.com

US PROJECTION



DRAWING NUMBER

148W Louver

SHEET SIZE

1:1 A3

SUNSHIELD
UNIQUE LOUVERS